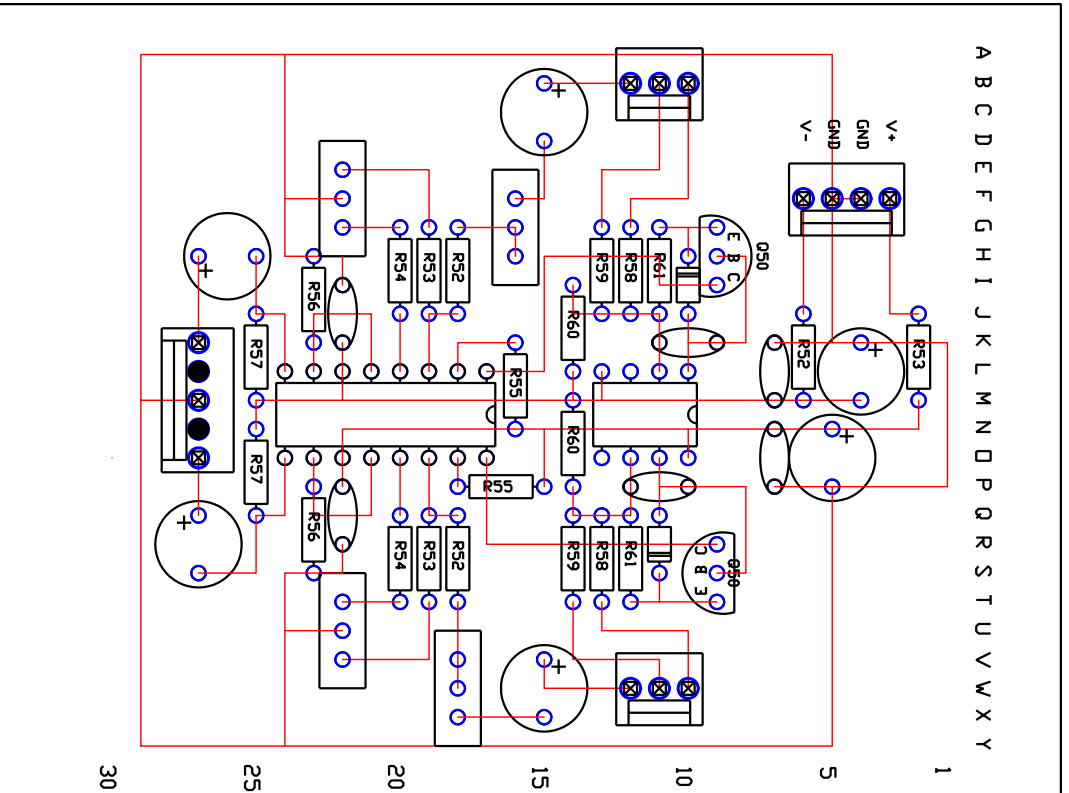
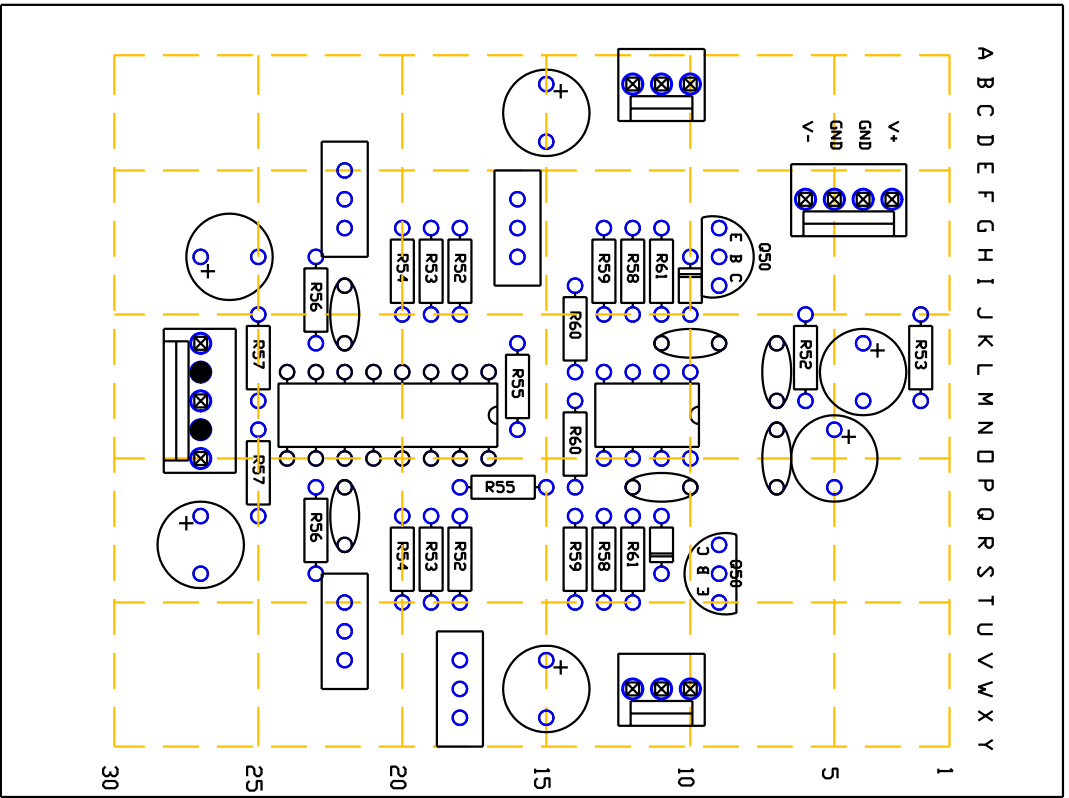


One VCA shown - second VCA is identical

VCA-3B	
Schematic: Dual Pair, Fatman LM13700 VCA	
By Dave Magnuson	Revision 2 9/10/2005



VCA-3B

PCB layout:
 Dual Paia Fatman
 LM13700 VCA

By Dave Magnuson

Revision 2
 9/10/2005